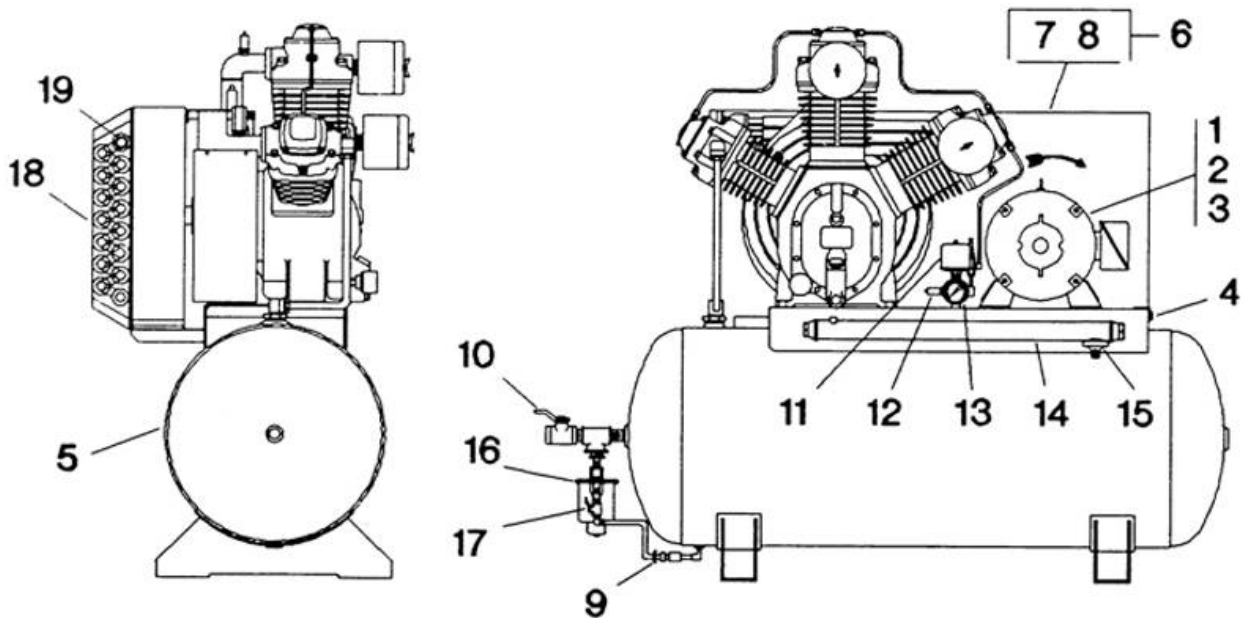


6. Typical Compressor Drive, Air Receiver & Accessories Model 15T



All manufacturer's names, numbers, photos, product description and/or part numbers are used for reference purposes only & it is not implied that any part listed is the product of these manufacturers. Since Approvement are made from time to time, the illustration and specifications are subject to change without notice.

6. Typical Compressor Drive, Air Receiver & Accessories Model 15T



REF. NBR.	PART NUMBER	DESCRIPTION	UNITS PER ASSY.	REC. SPARES		
				1	2	3
6-1	*	MOTOR, ELECTRIC	1			
6-2	*	PULLEY, MOTOR	1			
6-3	95100541	BELT, "V" (15 HP)	3		3	3
6-3	95100558	BELT, "V" (20 & 25 HP)	3		3	3
6-4	32188708	TIGHTENER, BELT - COMPLETE	1			
6-5	32162406	RECEIVER ASSEMBLY - 120 GAL. HORIZONTAL - 200 PSIG	1			
6-5	32162414	RECEIVER ASSEMBLY - 120 GAL. HORIZONTAL - 260 PSIG	1			
6-6	32002529	BELTGUARD - COMPLETE	1			
6-7	32003410	●BACK, BELTGUARD	1			
6-8	32003329	●COVER, BELTGUARD	1			
6-9	32027120	VALVE, MANUAL DRAIN	1			
6-10	32180242	VALVE, BALL - 1" M/F (SERVICE VALVE)	1			1
6-11	37005907	SWITCH, PRESSURE - NEMA 1 - 200 PSIG	1	1	1	1
6-11	37005923	SWITCH, PRESSURE - NEMA 1 - 250 PSIG	1	1	1	1
6-12	31385693	VALVE, SAFETY - 200 PSIG (RECEIVER)	1			1
6-12	32174799	VALVE, SAFETY - 260 PSIG (RECEIVER)	1			1
6-13	32013872	GAUGE, PRESSURE - 300 PSIG	1	1	1	1
6-14	32146235	AFTERCOOLER, WATER COOLED	1			
6-15	35229723	VALVE, AUTOMATIC WATER	1			
6-16	32005282	TRAP, AUTO DRAIN	1			
6-17	32180200	VALVE, BALL - 1/4"	1			1
6-18	32003238	COIL, AFTERCOOLER - AIR COOLED	1			1
6-19	32174286	VALVE, SAFETY - DISCHARGE - 325 PSIG	1			1
***	32170771	VALVE, AUXILIARY - CONSTANT SPEED CONTROL	1			
***	32170797	VALVE, AUXILIARY - DUAL CONTROL	1			
***	32212649	KIT, DECAL	1			
**	32178766	OIL, XL-T30 - SYNTHETIC COMPRESSOR LUBRICANT	1 GAL.			1

* Specify discharge pressure of compressor and complete motor nameplate data.

** Purchase from your local Ingersoll-Rand Distributor.

*** Not Shown in Illustration

STEP SAVER KIT

For your convenience, the following parts and/or spare parts for your compressor are available in parts kits. When ordering the kits below, use kit names as Description and the Part No. as shown.

PART NO.	DESCRIPTION
32127482	KIT, FILTER
32127490	KIT, VALVE/GASKET
32218869	KIT, RING/GASKET
32127516	KIT, BEARING/CONNECTING ROD
30418834	KIT, GASKET

All manufacturer's names, numbers, photos, product description and/or part numbers are used for reference purposes only & it is not implied that any part listed is the product of these manufacturers. Since Approvement are made from time to time, the illustration and specifications are subject to change without notice.